



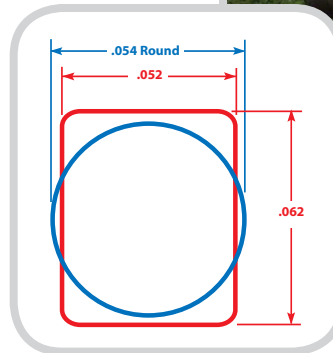
# CLIPPER® Round Hay Baler Splicing Options

Clipper® products have been widely used for quick, economical and long-lasting splices for round hay baler belts for many years. The Clipper system has been specifically developed for the demanding requirements of this application and offers a variety of equipment to simplify installation and extend splice life.



## Robust 4½ RHTX Fastener

The Clipper 4 ½ RHTX fasteners are made of a strong and abrasion-resistant rectangular shaped wire. This .062" high x .052" wide wire provides 52% more mass than the equivalent standard .054" round wire hooks. This, combined with the high tensile wire properties, produces a fastener that is proven to withstand the abusive and abrasive round hay baling application.



## A Complete System

Splice longevity is directly impacted by proper installation. To ensure the fasteners are installed properly to provide you with reliable service life, there are a number of installation tools and accessories to help get the job done.

### Installation Tools:

**Vise Lacer:** An economical solution for installing Clipper splices. The Vise Lacer is easy to use and fits in any shop vise. Available in 4", 7", and 10" models (100, 175, and 250 mm). Wider belts can be laced by indexing the lacing tool.

**Baler Belt Lacer™:** This portable lacer allows baler belts to be spliced in the field and avoids the need to remove the belts from the baler. Available in 7" and 10" models (175 and 250mm).

### Accessories:

**14" Belt Cutter:** This heavy-duty, yet portable cutter cuts belts up to 14" (350mm) thick in one quick, downward motion.

**Rough Top Belt Skiver:** Most baler belts have an impression cover and it is critical to remove this impression prior to installing the fasteners. The Rough Top Belt Skiver is an easy-to-use, hand-held tool to skive the impression cover off.

**Duralink™ and DuraStainless™ Connecting Pins:** Both 'Dura' pins offer significantly longer life than standard nylon-coated connecting pins, making them ideal for the abrasive round hay baler application. Duralink pins are composed of a braided stainless core with the filled nylon coating, while the DuraStainless pins have a solid stainless inner core.

**Smart Locks™:** This unique, patented metal device fits over the end three hooks on each side of the splice to offer the edges greater stability and resistance to edge wear as baler belts mistrack. In addition, Smart Locks crimp the connecting pin to prevent it from migrating out of the splice during operation. Sold in kits with 20 Smart Locks and 5 ft (1.5 meters) of Duralink™ connecting pin.



Vise Lacer



Baler Belt Lacer



14" Belt Cutter



Rough Top Belt Skiver

# CLIPPER®

## Round Hay Baler Splicing Options

Ordering Information						
Clipper® Baler Fasteners						
Belt Width	Item Code	Ordering Number	Hooks per Card	Cards per Box	Pins per Box	Minimum Order Qty
<b>#4½ Rectangular High Tensile (RHTX) Fasteners - Point-of-Purchase</b>						
4"	01831	4-1/2RHTX(26)W-8	26	8	4	50
6½"	01846	4-1/2RHTX(41)W-4	41	4	2	50
7"	01847	4-1/2RHTX(45)W-4	45	4	2	50
<b>#4½ - 3 Point Rectangular High Tensile (RHTX) Fasteners - Point-of-Purchase</b>						
7"	01848	4-1/2-3RHTX(45)W-4	45	4	2	50
<b>#4½ - 4 Point Rectangular High Tensile (RHTX) Fasteners - Point-of-Purchase</b>						
6½"	01849	4-1/2-4RHTX(42)W-4	42	4	2	50

Note: Point-of-Purchase Baler hooks are made to order and have a three week lead time. Boxes include pre-cut Duralink™ pins as indicated.

Ordering Information			
Clipper® Lacers			
Description	Hook Size	Item Code	Ordering Number
Reg. 4" Vise Lacer	2-7, U2-U7	03018	R-4
Reg. 7" Vise Lacer	2-7, U2-U7	03019	R-7
Reg. 10" Vise Lacer	2-7, U2-U7	03020	R-10
Baler Belt Lacer, 7" (175mm)		03434	BBL-7
Baler Belt Lacer, 10" (250mm)		03435	BBL-10

Ordering Information		
Duralink™ PinPak™ 100 ft. (30M)		
Pin Diameter	Item Code	Ordering Number
.065	02726	DL065-C
.093	02743	DL093-C
.109	02737	DL109-C
.125	02732	DL125-C
DuraStainless™ PinPak™ 100 ft. (30M)		
.065	02826	DSS065-C
.093	02830	DSS093-C
.109	02834	DSS109-C

Ordering Information		
Clipper® Accessories		
Description	Item Code	Ordering Number
14" Belt Cutter	03230	Cutter-14
Rough Top Belt Skiver	03239	RTBS
Smart Lock Kit (includes 20 Smart Locks and 5' of .109 Duralink Cable)	03442	SmartLock



2525 Wisconsin Avenue • Downers Grove, IL 60515-4200 U.S.A.  
 Telephone: (630)-971-0150 • Fax: (630)-971-1180 • E-mail: info@flexco.com • Web: [www.flexco.com](http://www.flexco.com)

Australia: 61-2-9680-3322 • China: 86-21-33528388 • England: 44-1274-600-942  
 Germany: 49-7428-9406-0 • Mexico: 52-55-5674-5326 • South Africa: 27-11-608-4180

©2008 Flexible Steel Lacing Company. Clipper® is a registered trademark, and Duralink™, DuraStainless™, PinPak™, Smart Locks™ and Baler Belt Lacer™ are trademarks. 12-08. For Reorder: X1695

